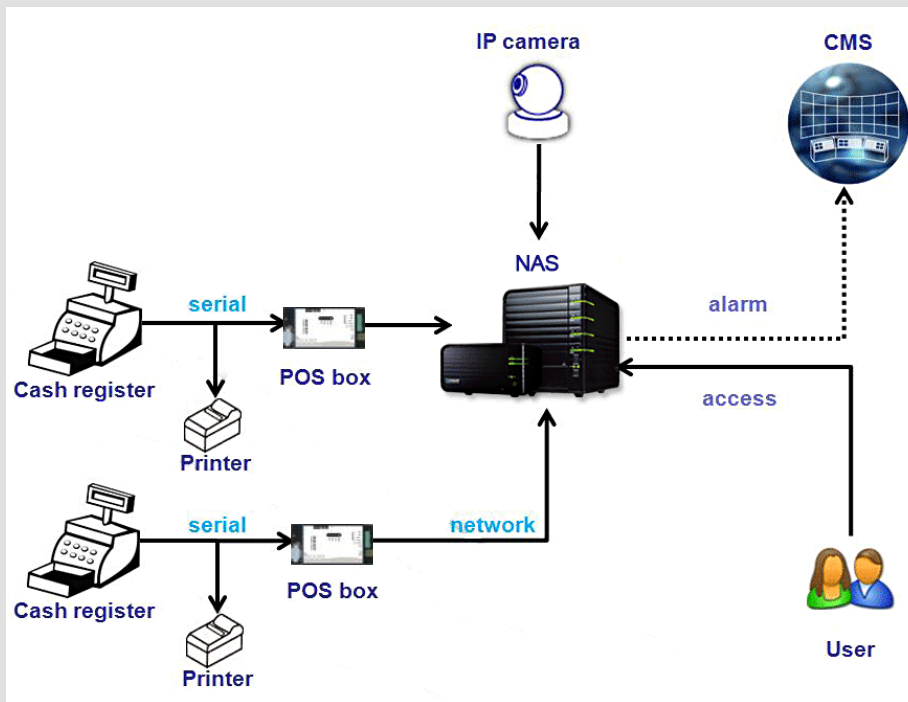


NUUO POS Box SCB-C31



Input	RS232
Output	Ethernet
DC In	DC +10V to +15V
Power consumption	500 mA
Operating Temperature	-20 to 65°C
Operating Humidity	0-90 % Non-Condensing
Baud Rate	110 bps to 230.4 kbps
Data Bits	5, 6, 7 or 8
Stop Bits	1, 1.5 or 2
Parity	None, Even, Odd, Mark, Space
Flow Control	None, RTX/CTS, XON/XOFF, DTR/DSR

NUUO NVRmini v2.0

POS Main Features

- Support for all NUUO NVR/DVR/NVDR/NVRmini system
- Transaction data overlay on multi-channels
- Recording transaction data
- Search for specific keyword and playback recorded video with transaction data

Specifications

- **Live Transaction Overlay**
 - Overlay display of transactions on multiple associated cameras
 - User-defined POS OSD setting
 - Flexible user-defined overlay areas of different associated cameras
 - User-defined transaction display time
- **POS Transaction Filter**
 - User-defined tag filter
 - Export/Import tag filter to/from the other NUUO system
 - Six pre-defined tags

- **Omit:** Omit unimportant text
- **Substitute:** Define text to be replaced
- **Add New Line:** Define text as a newline
- **Start:** Define the text as a transaction start
- **End:** Define the text as a transaction end
- **Cash Register Opened:** Define the text as opening a cash register
- Unlimited user-defined filters

- **Recording, Playback & Search**
 - Advanced search for any text in POS transaction data and search result overlay
 - Video backup with POS transaction data
 - Dedicated storage for POS data that is not deleted in recycling

- **Access through Application Program**
 - User-defined POS OSD setting
 - Advanced search for any text in POS transaction data and search result overlay
 - Video backup with POS transaction data